

**FLOOR PLAN**

**1 LEVEL 1**

SCALE: NTS  
 ARCH REF: 1/A111  
 1/A112  
 QUANTITY: TYPE SF1 - 1, TYPE SF2 - 1,  
 TYPE SF3 - 1, TYPE SF6 - 1,  
 TYPE SF7 - 1, TYPE SF8 - 1,  
 TYPE SF8 - 1, TYPE SF9 - 1,  
 TYPE SF10 - 1, TYPE SF11 - 1,  
 TYPE SF12 - 1, TYPE SF16 - 1,  
 TYPE SF17 - 1, TYPE SF18 - 1,  
 TYPE SF19 - 1, TYPE AB - 55.

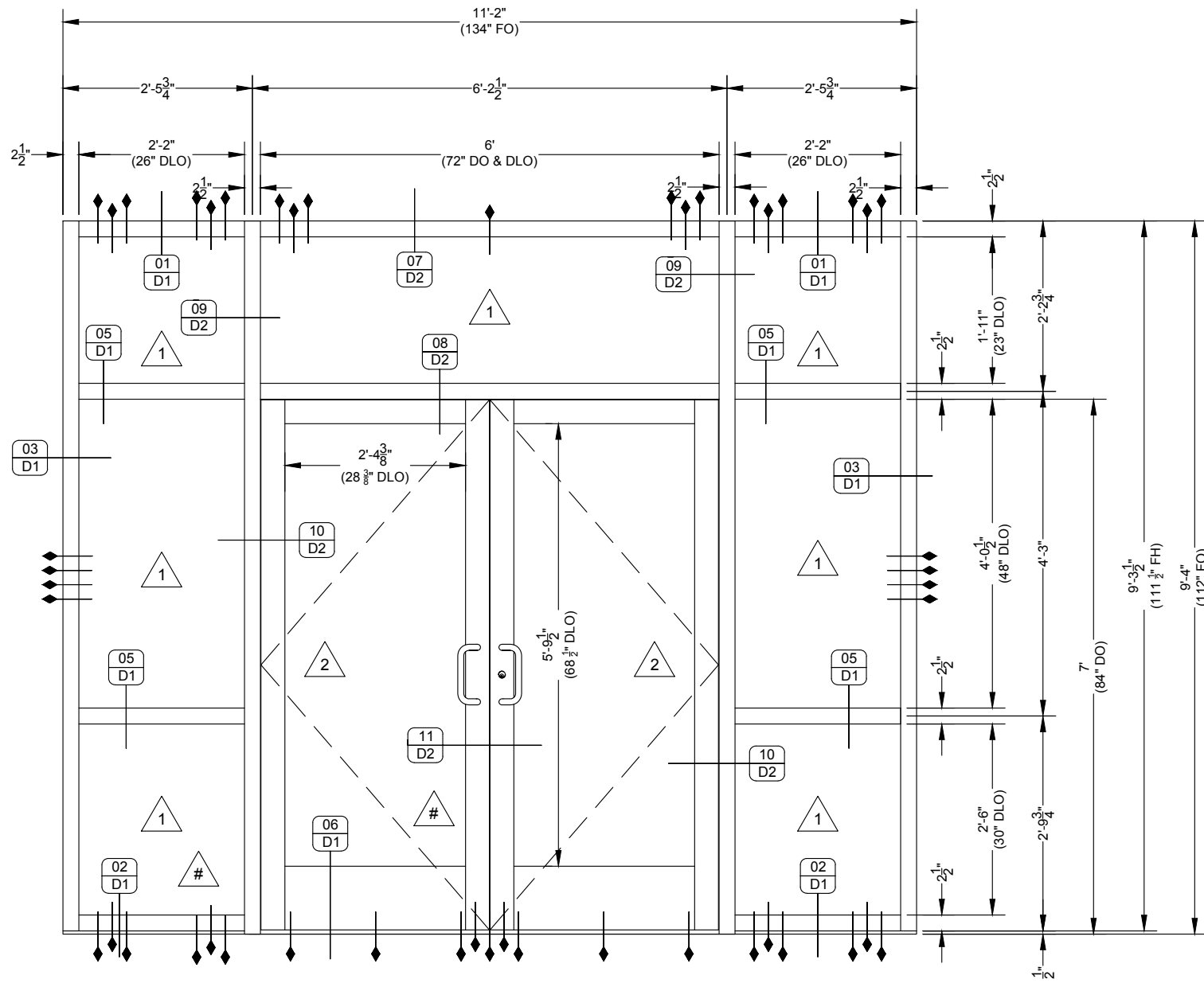
**GLASS WALL SYSTEM(S):**  
 KAWNEER 2 1/2" X 5' IR501 ALUMINUM STOREFRONT  
 KAWNEER 1 3/4" X 4 1/2" TRIFAB 450 ALUMINUM STOREFRONT  
 KAWNEER 350 DOORS ON IR501 & TRIFAB 450 ALUMINUM STOREFRONT FRAMING  
 EARTHWISE GROUP VINYL SINGLE-HUNG IMPACT-RATED WINDOWS

NO.	DATE	DESCRIPTION
1	10/22/19	First Submittal

**CONTRACTOR'S GLASS PRODUCTS**  
 7701 WEBER RD, CORPUS CHRISTI, TX 78315  
 WORK (361) 854-8188 FAX (361) 854-4412

PROJECT: SALVATION ARMY CENTER OF HOPE  
**NEW BUILDING**  
 ARCHITECT: TURNER/RAMIREZ ARCHITECTS  
 (361) 864-8800  
 GENERAL CONTRACTOR: VICTORY BUILDING TEAM  
 (361) 991-5600

PROJECT NO.	CGP-1910-03
DRAWN BY	fp
DATE	10/22/19
SCALE	NTS
DRAWING	FLOOR PLANS
SHEET	P1



DOOR NUMBER:  
**SB103A**

**ELEVATION**

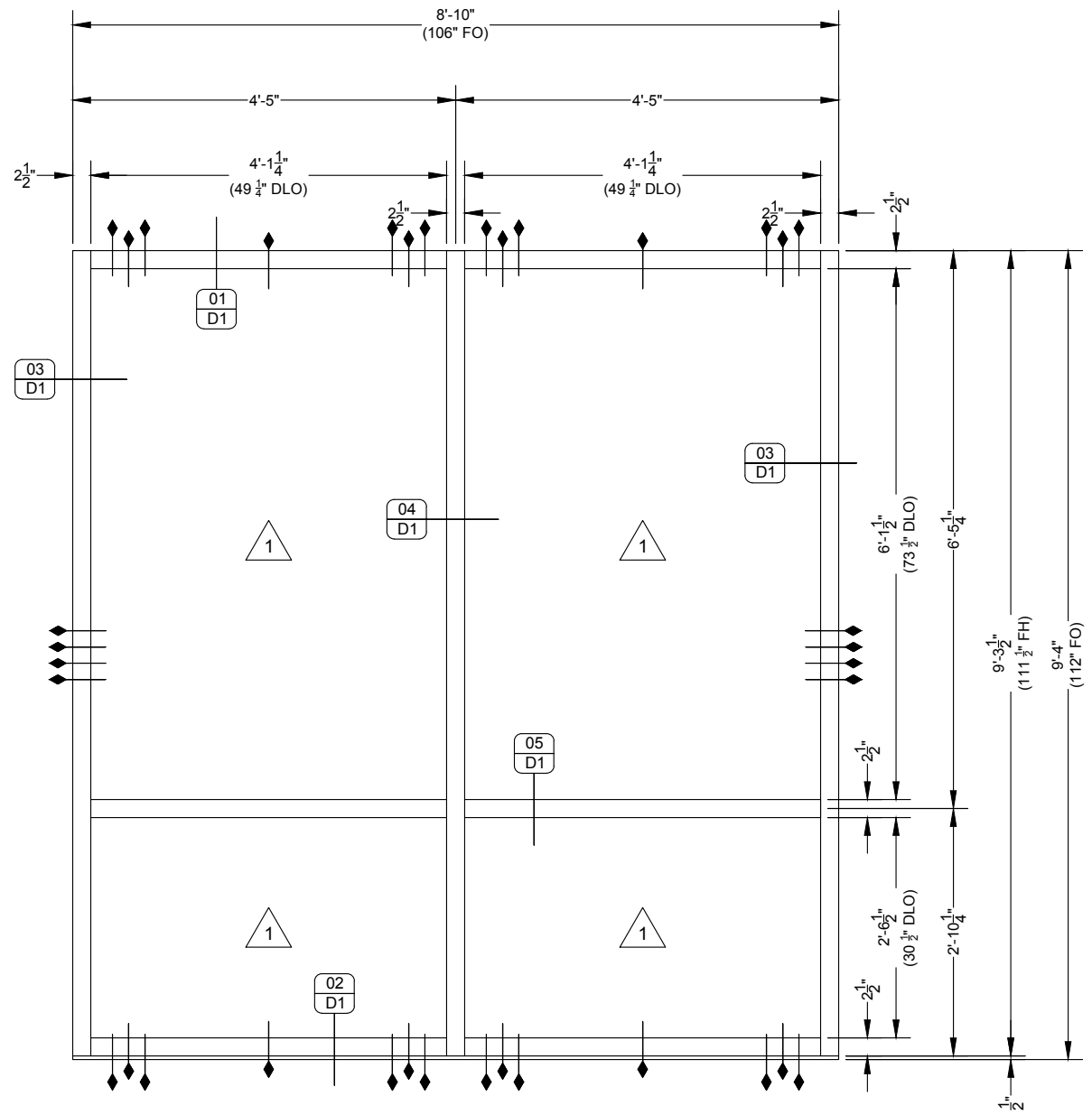
QUANTITY: 1  
 SCALE: 1/2" = 1'-0"  
 ARCH REF: 1/A112  
 DOOR NUMBER: SB103A



**EXTERIOR STOREFRONT**

KAWNEER 2 1/2" X 5" IR501 ALUMINUM STOREFRONT FRAMING  
 KAWNEER 350 DOOR ON IR501 STOREFRONT FRAMING

**DOOR HARDWARE:**  
 TDI APPROVED 3 BUTT HINGES PER LEAF  
 KAWNEER 1688 CVR EXIT DEVICES W/EXT CYLINDER  
 ADA 10" BOTTOM RAILS  
 THRESHOLDS C-90 PULL/PUSH BARS  
 OVERHEAD SURFACE MOUNTED ADJUSTABLE CLOSURES



**ELEVATION**

QUANTITY: 1  
 SCALE: 1/2" = 1'-0"  
 ARCH REF: 1/A112



**EXTERIOR STOREFRONT**

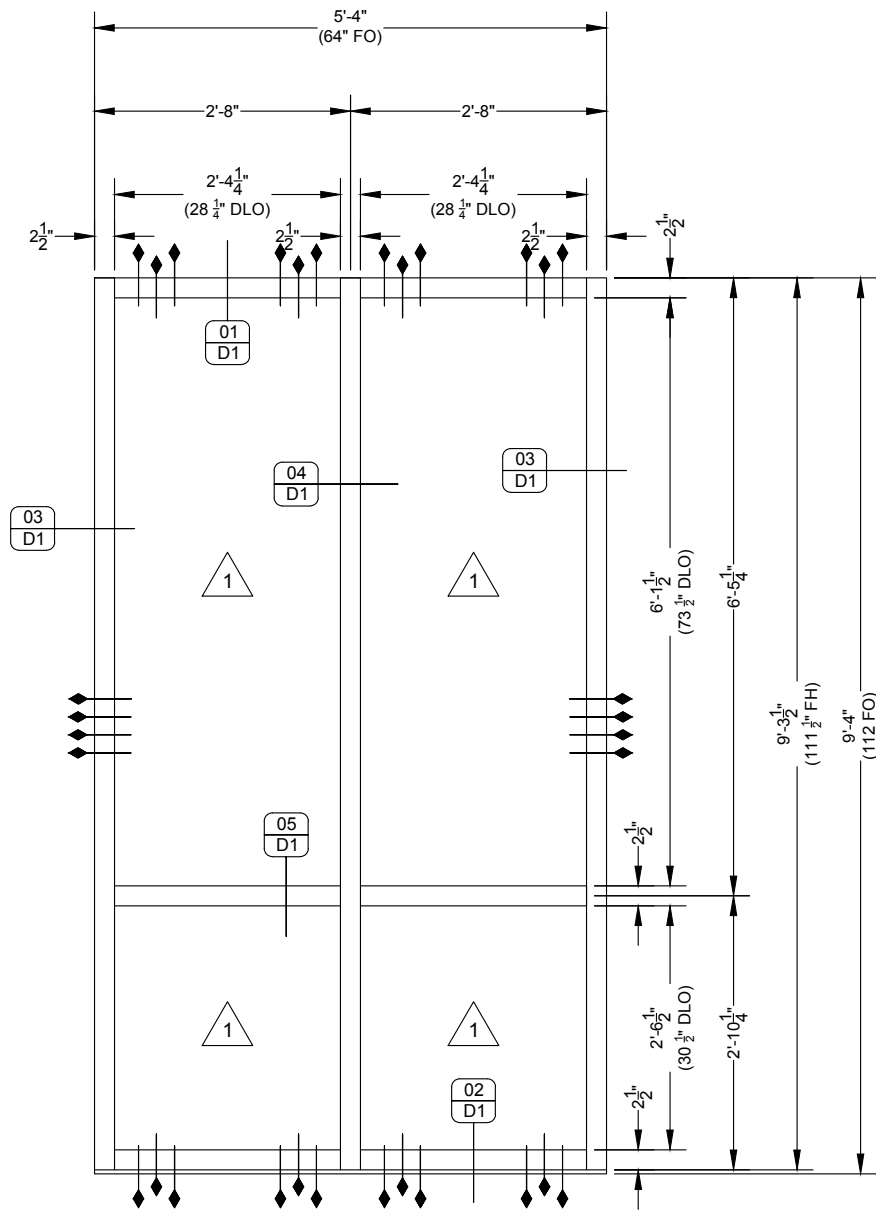
KAWNEER 2 1/2" X 5" IR501 ALUMINUM STOREFRONT FRAMING

NO.	DATE	BY	DESCRIPTION
1	10/22/19	fp	First Submittal

**CONTRACTOR'S GLASS PRODUCTS**  
 7701 WEBER RD, CORPUS CHRISTI, TX 78315  
 WORK (361) 854-8188 FAX (361) 854-4412

PROJECT: SALVATION ARMY CENTER OF HOPE  
**NEW BUILDING**  
 ARCHITECT: TURNER RAMIREZ ARCHITECTS  
 (361) 894-8900  
 GENERAL CONTRACTOR: VICTORY BUILDING TEAM  
 (361) 991-5600

PROJECT NO.	CGP-1910-03
DRAWN BY	fp
DATE	10/22/19
SCALE	1/2" = 1'-0"
DRAWING	ELEVATIONS
SHEET	E1



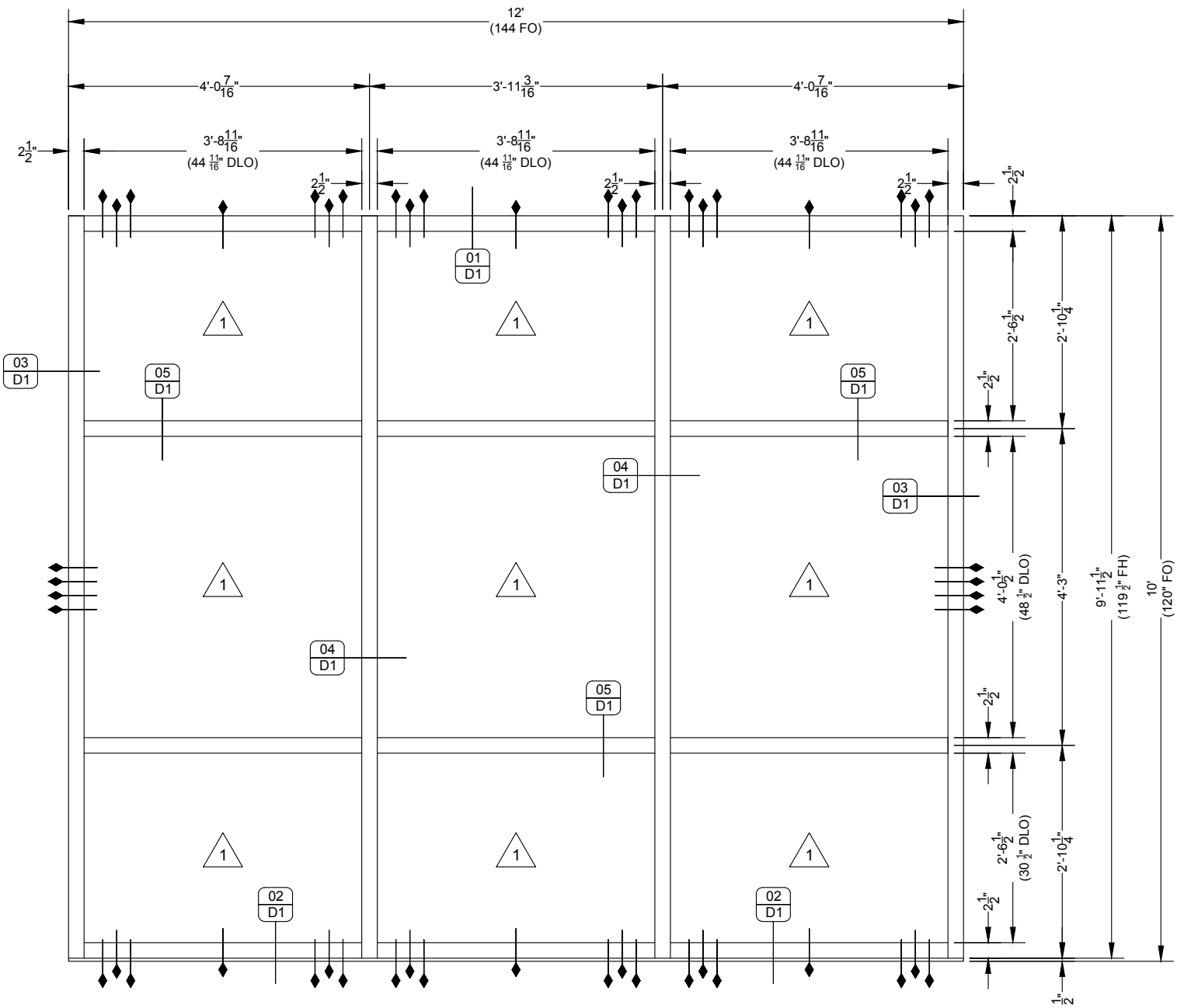
**ELEVATION**

QUANTITY: 1  
 SCALE: 1/2" = 1'-0"  
 ARCH REF: 1/A112

**SF2**

**EXTERIOR STOREFRONT**

KAWNEER 2 1/2" X 5" IR501 ALUMINUM STOREFRONT FRAMING



**ELEVATION**

QUANTITY: 1  
 SCALE: 1/2" = 1'-0"  
 ARCH REF: 1/A112

**SF8**

**EXTERIOR STOREFRONT**

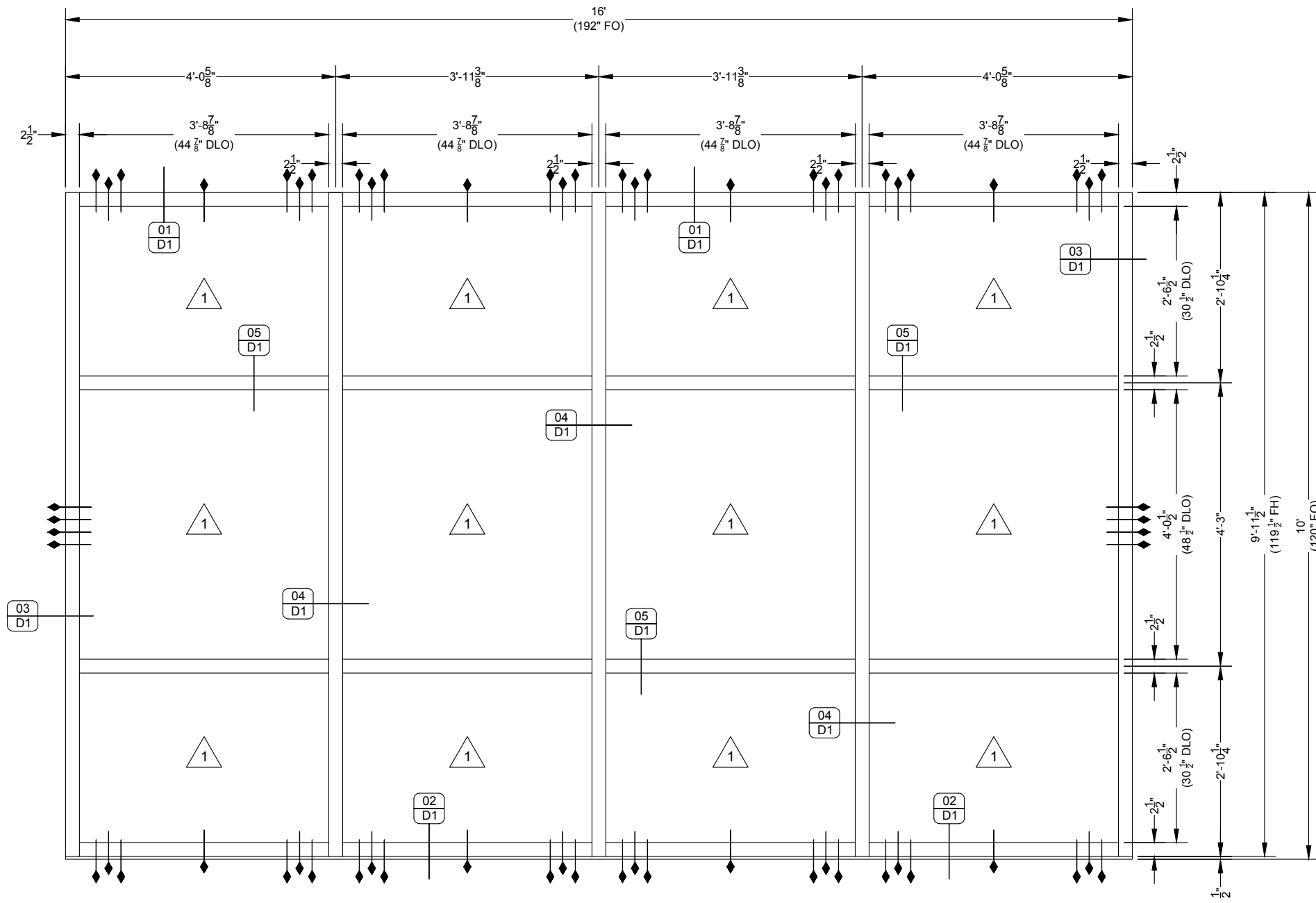
KAWNEER 2 1/2" X 5" IR501 ALUMINUM STOREFRONT FRAMING

NO.	DATE	BY	DESCRIPTION
1	10/22/19	fp	First Submittal

**CONTRACTOR'S GLASS PRODUCTS**  
 7701 WEBER RD, CORPUS CHRISTI, TX 78315  
 WORK (361) 854-8188 FAX (361) 854-4412

PROJECT: SALVATION ARMY CENTER OF HOPE  
**NEW BUILDING**  
 ARCHITECT: TURNER RAMIREZ ARCHITECTS  
 (361) 894-8900  
 GENERAL CONTRACTOR: VICTORY BUILDING TEAM  
 (361) 991-5600

PROJECT NO.	CGP-1910-03
DRAWN BY	fp
DATE	10/22/19
SCALE	1/2" = 1'-0"
DRAWING	ELEVATIONS
SHEET	E2



**ELEVATION**

QUANTITY: 1  
 SCALE: 1/2" = 1'-0"  
 ARCH REF: 1/A112



**EXTERIOR STOREFRONT**

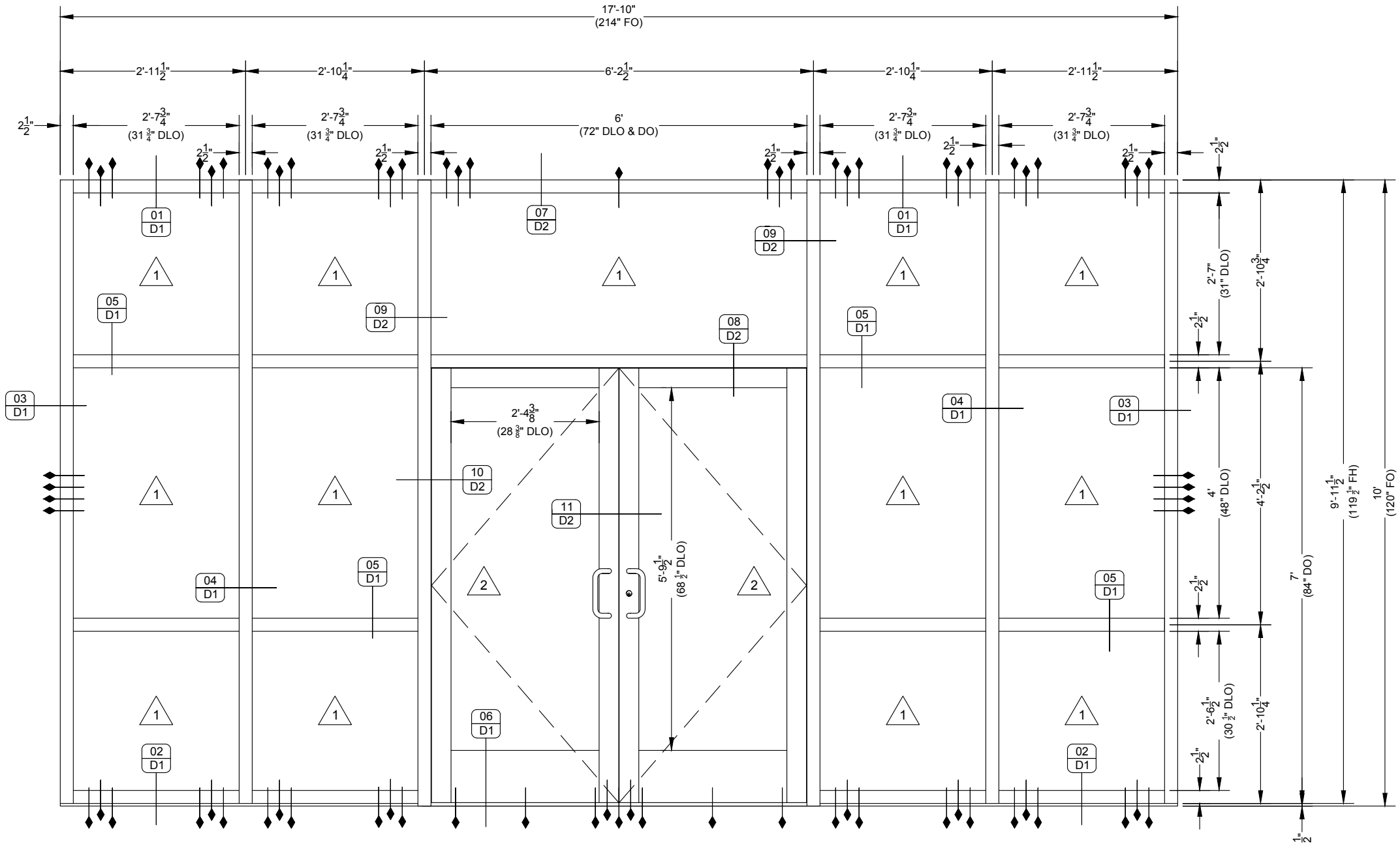
KAWNEER 2 1/2" X 5" IR501 ALUMINUM STOREFRONT FRAMING

NO.	DATE	DESCRIPTION
1	10/22/19	First Submittal

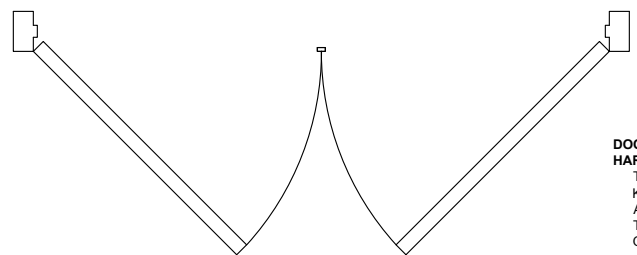
**CONTRACTOR'S GLASS PRODUCTS**  
 7701 WEBER RD, CORPUS CHRISTI, TX 78315  
 WORK (361) 854-8188 FAX (361) 854-4412

PROJECT: SALVATION ARMY CENTER OF HOPE  
**NEW BUILDING**  
 ARCHITECT: TURNER RAMIREZ ARCHITECTS  
 (361) 894-8900  
 GENERAL CONTRACTOR: VICTORY BUILDING TEAM  
 (361) 991-5600

PROJECT NO. CGP-1910-03	
DRAWN BY fp	DATE 10/22/19
SCALE 1/2" = 1'-0"	
DRAWING ELEVATIONS	
SHEET E3	



DOOR NUMBER:  
**SB116A**



**DOOR HARDWARE:**  
 TDI APPROVED 3 BUTT HINGES PER LEAF  
 KAWNEER 1688 CVR EXIT DEVICES W/EXT CYLINDER  
 ADA 10" BOTTOM RAILS  
 THRESHOLDS C-90 PULL/PUSH BARS  
 OVERHEAD SURFACE MOUNTED ADJUSTABLE CLOSURES

**ELEVATION**

QUANTITY: 1  
 SCALE: 1/2" = 1'-0"  
 ARCH REF: 1/A112  
 DOOR NUMBER: SB116A



**EXTERIOR STOREFRONT**

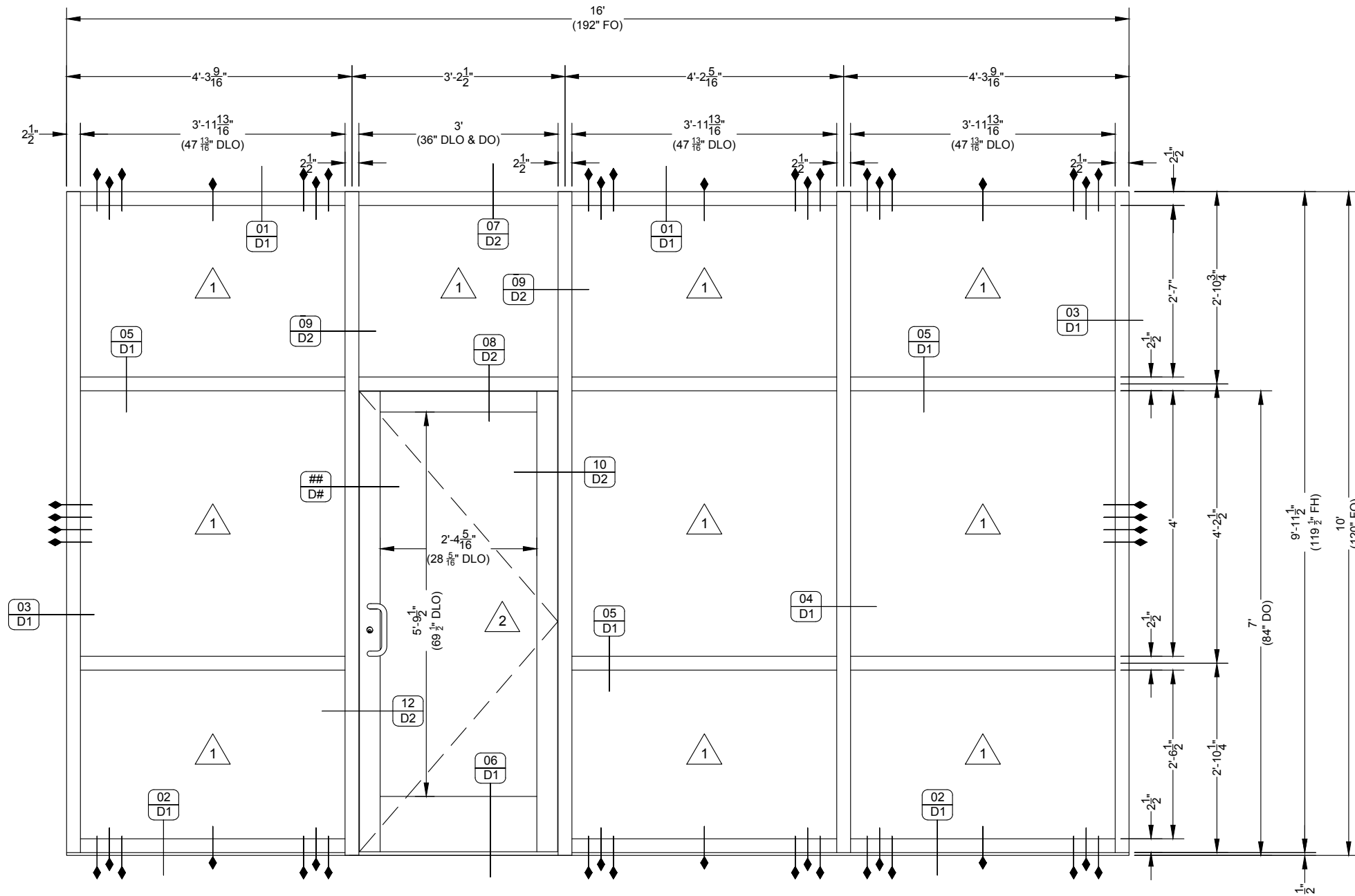
KAWNEER 2 1/2" X 5" IR501 ALUMINUM STOREFRONT FRAMING  
 KAWNEER 350 DOOR ON IR501 STOREFRONT FRAMING

NO.	SUB	BY	DATE	DESCRIPTION
1	fp		10/22/19	First Submittal

**CONTRACTOR'S GLASS PRODUCTS**  
 7701 WEBER RD, CORPUS CHRISTI, TX 78315  
 WORK (361) 854-8188 FAX (361) 854-4412

PROJECT: SALVATION ARMY CENTER OF HOPE  
**NEW BUILDING**  
 ARCHITECT: TURNER RAMIREZ ARCHITECTS  
 (361) 984-8900  
 GENERAL CONTRACTOR: VICTORY BUILDING TEAM  
 (361) 991-5600

PROJECT NO.	CGP-1910-03
DRAWN BY	fp
DATE	10/22/19
SCALE	1/2" = 1'-0"
DRAWING	ELEVATIONS
SHEET	E4



DOOR NUMBER:  
**SA172**

**DOOR HARDWARE:**  
 TDI APPROVED 3 BUTT HINGES PER LEAF  
 KAWNEER 1688 CVR EXIT DEVICES W/EXT CYLINDER  
 ADA 10" BOTTOM RAILS  
 THRESHOLDS C-90 PULL/PUSH BARS  
 OVERHEAD SURFACE MOUNTED ADJUSTABLE CLOSURES

**ELEVATION**

QUANTITY: 1  
 SCALE: 1/2" = 1'-0"  
 ARCH REF: 1/A111  
 DOOR NUMBER(S): SA172

**SF9**

**EXTERIOR STOREFRONT**

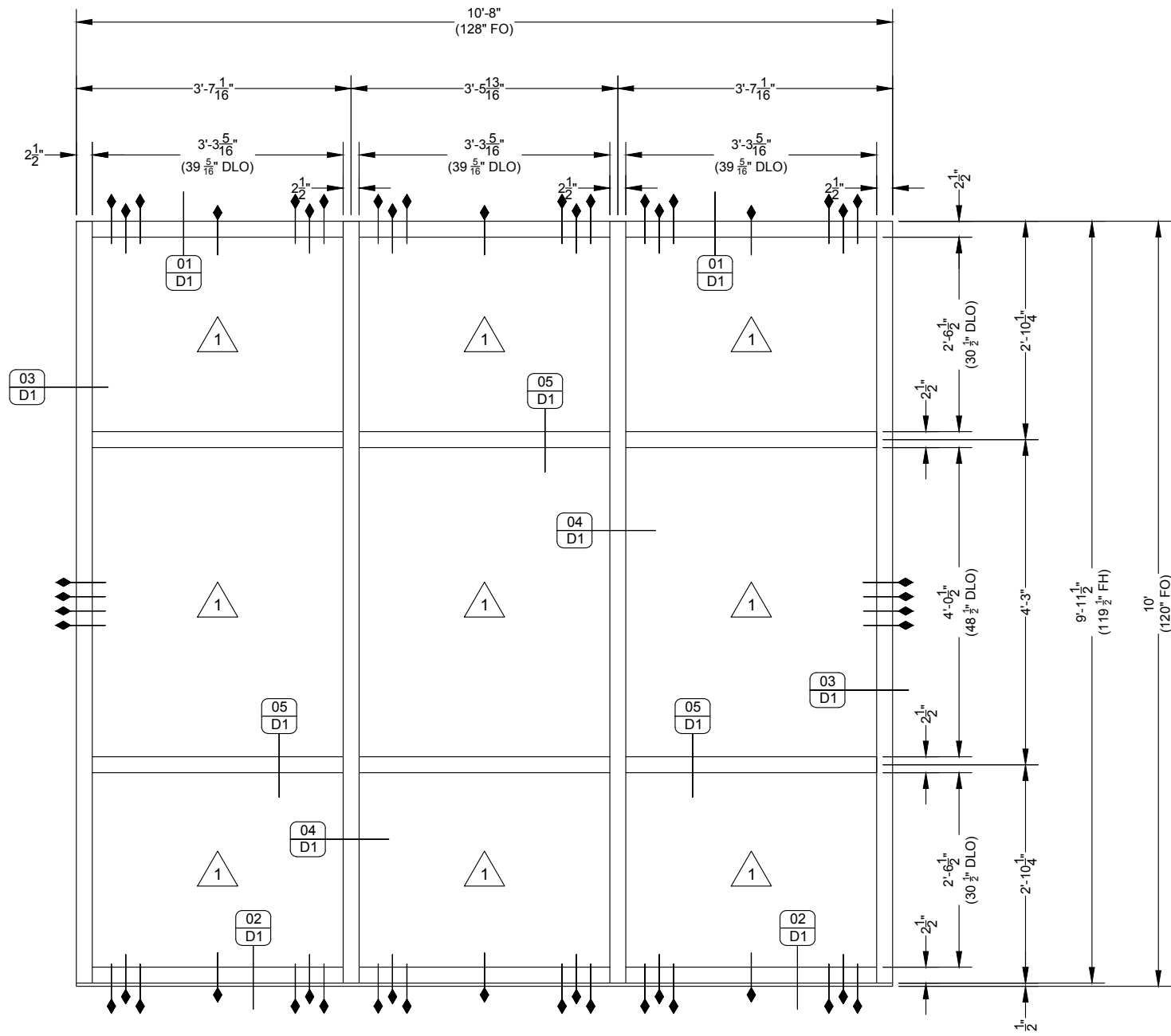
KAWNEER 2 1/2" X 5" IR501 ALUMINUM STOREFRONT FRAMING  
 KAWNEER 350 DOOR ON IR501 STOREFRONT FRAMING

NO.	DATE	DESCRIPTION
1	10/22/19	First Submittal

**CONTRACTOR'S GLASS PRODUCTS**  
 7701 WEBER RD, CORPUS CHRISTI, TX 78315  
 WORK (361) 854-8188 FAX (361) 854-4412

PROJECT: SALVATION ARMY CENTER OF HOPE  
**NEW BUILDING**  
 ARCHITECT: TURNER RAMIREZ ARCHITECTS  
 (361) 894-8900  
 GENERAL CONTRACTOR: VICTORY BUILDING TEAM  
 (361) 991-5600

PROJECT NO.	CGP-1910-03
DRAWN BY	fp
DATE	10/22/19
SCALE	1/2" = 1'-0"
DRAWING	ELEVATIONS
SHEET	E5



**ELEVATION**

QUANTITY: 1  
 SCALE: 1/2" = 1'-0"  
 ARCH REF: 1/A111



**EXTERIOR STOREFRONT**

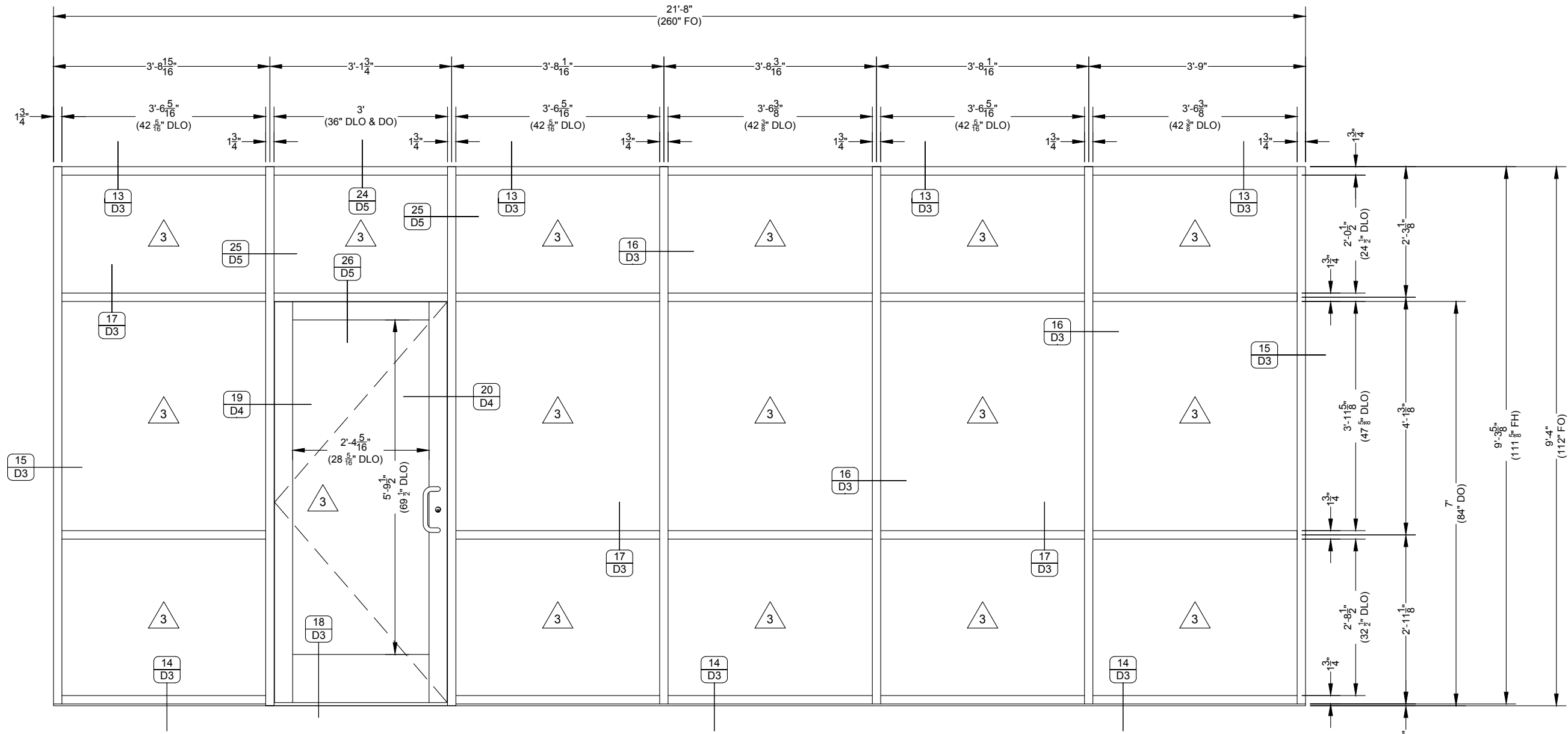
KAWNEER 2 1/2" X 5" IR501 ALUMINUM STOREFRONT FRAMING

NO.	DATE	DESCRIPTION
1	10/22/19	First Submittal

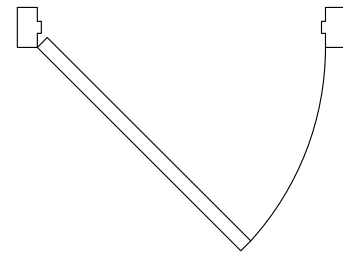
**CONTRACTOR'S GLASS PRODUCTS**  
 7701 WEBER RD, CORPUS CHRISTI, TX 78315  
 WORK (361) 854-8188 FAX (361) 854-4412

PROJECT: SALVATION ARMY CENTER OF HOPE  
**NEW BUILDING**  
 ARCHITECT: TURNER RAMIREZ ARCHITECTS  
 (361) 894-8900  
 GENERAL CONTRACTOR: VICTORY BUILDING TEAM  
 (361) 991-5660

PROJECT NO.	CGP-1910-03
DRAWN BY	fp
DATE	10/22/19
SCALE	1/2" = 1'-0"
DRAWING	ELEVATIONS
SHEET	E6



DOOR NUMBER:  
**SA116**



**DOOR HARDWARE:**  
 TDI APPROVED 3 BUTT HINGES PER LEAF  
 KAWNEER 1688 CVR EXIT DEVICES W/EXT CYLINDER  
 ADA 10" BOTTOM RAILS  
 THRESHOLDS C-90 PULL/PUSH BARS  
 OVERHEAD SURFACE MOUNTED ADJUSTABLE CLOSURES

**ELEVATION**

QUANTITY: 1  
 SCALE: 1/2" = 1'-0"  
 ARCH REF: 1/A111  
 DOOR NUMBER(S): SA116

**SF11**

**INTERIOR STOREFRONT**

KAWNEER 1 3/4" X 4 1/2" TRIFAB 450 ALUMINUM STOREFRONT FRAMING  
 KAWNEER 350 DOOR ON TRIFAB ALUMINUM STOREFRONT FRAMING

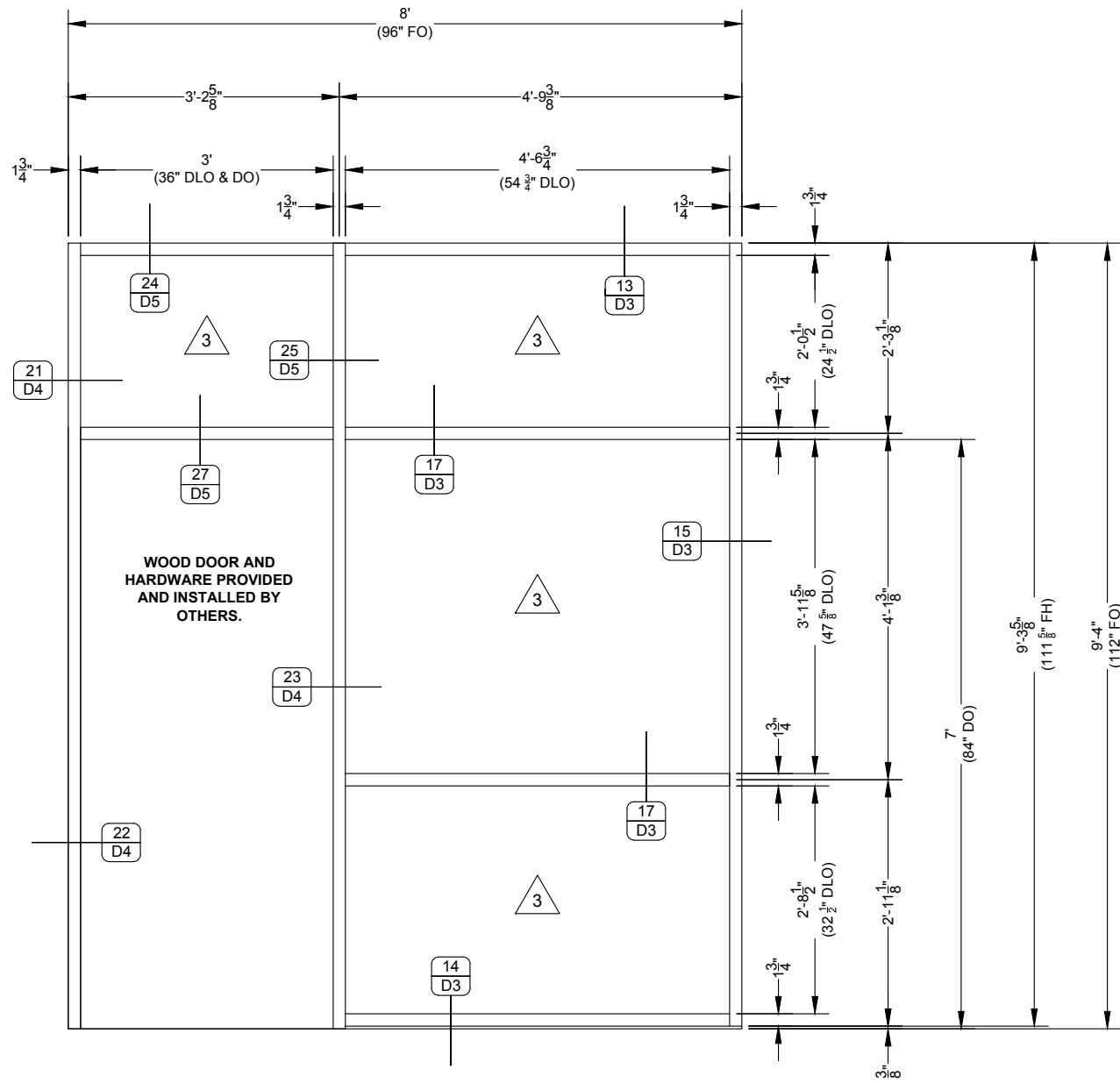
NO.	DATE	DESCRIPTION
1	10/22/19	First Submittal

**CONTRACTOR'S GLASS PRODUCTS**  
 7701 WEBER RD, CORPUS CHRISTI, TX 78315  
 WORK (361) 854-8188 FAX (361) 854-4412

PROJECT: SALVATION ARMY CENTER OF HOPE  
**NEW BUILDING**  
 ARCHITECT: TURNER RAMIREZ ARCHITECTS  
 (361) 894-8900  
 GENERAL CONTRACTOR: VICTORY BUILDING TEAM  
 (361) 991-5600

PROJECT NO.	CGP-1910-03
DRAWN BY	fp
DATE	10/22/19
SCALE	1/2" = 1'-0"
DRAWING	ELEVATIONS
SHEET	E7





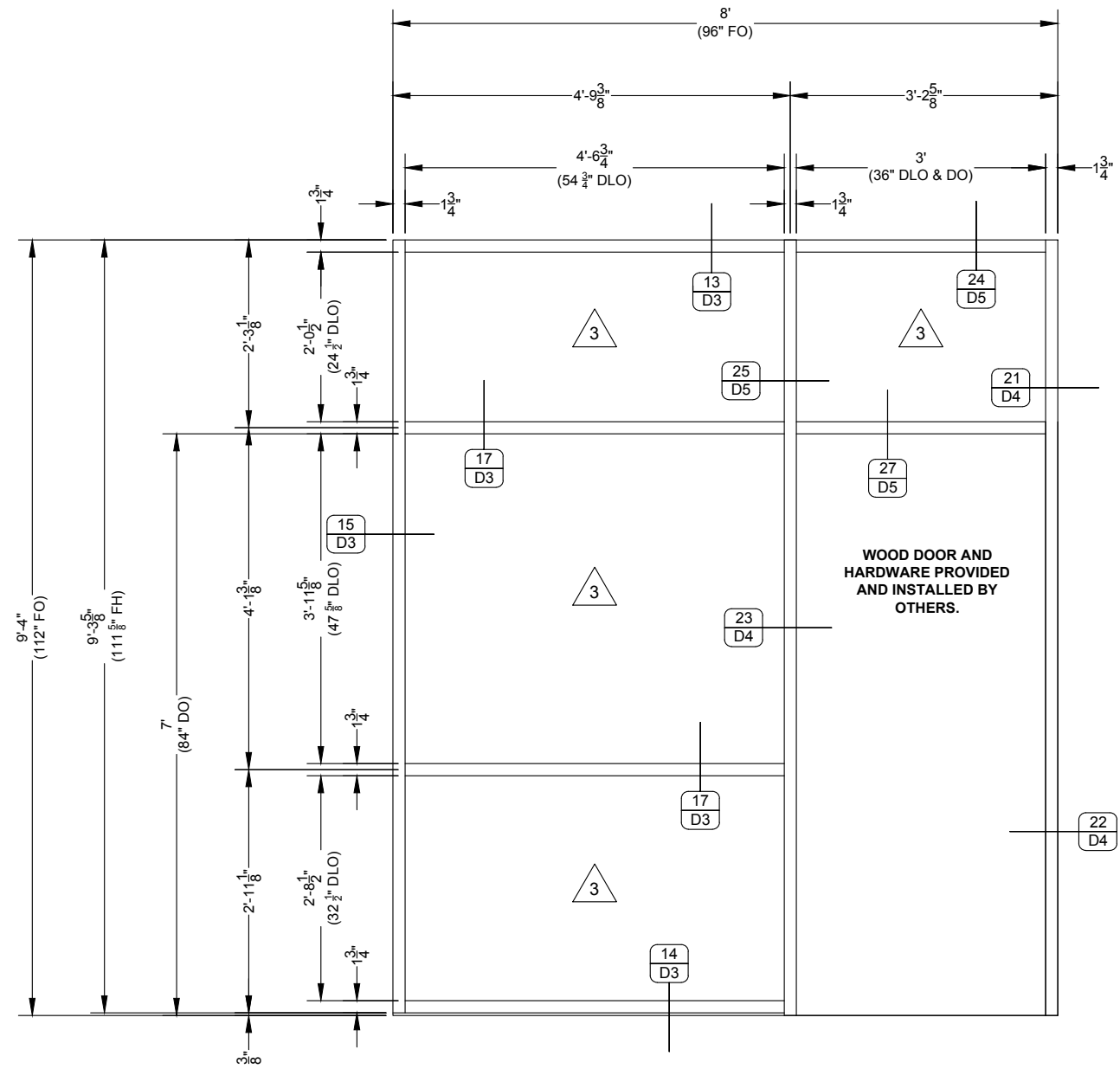
**ELEVATION**

QUANTITY: 1  
 SCALE: 1/2" = 1'-0"  
 ARCH REF: 1/A112  
 DOOR NUMBER(S): SB103B

SF12

**INTERIOR STOREFRONT**

KAWNEER 1 3/4" X 4 1/2" TRIFAB 450 ALUMINUM STOREFRONT FRAMING  
 WOOD DOOR PROVIDED AND INSTALLED BY OTEHRS



**ELEVATION**

QUANTITY: 1  
 SCALE: 1/2" = 1'-0"  
 ARCH REF: 1/A112  
 DOOR NUMBER(S): SB116C

SF16

**INTERIOR STOREFRONT**

KAWNEER 1 3/4" X 4 1/2" TRIFAB 450 ALUMINUM STOREFRONT FRAMING

NO.	DATE	DESCRIPTION
1	10/22/19	First Submittal

**CONTRACTOR'S GLASS PRODUCTS**  
 7701 WEBER RD, CORPUS CHRISTI, TX 78315  
 WORK (361) 854-8188 FAX (361) 854-4412

PROJECT: SALVATION ARMY CENTER OF HOPE  
**NEW BUILDING**  
 ARCHITECT: TURNER RAMIREZ ARCHITECTS  
 (361) 894-8900  
 GENERAL CONTRACTOR: VICTORY BUILDING TEAM  
 (361) 991-5600

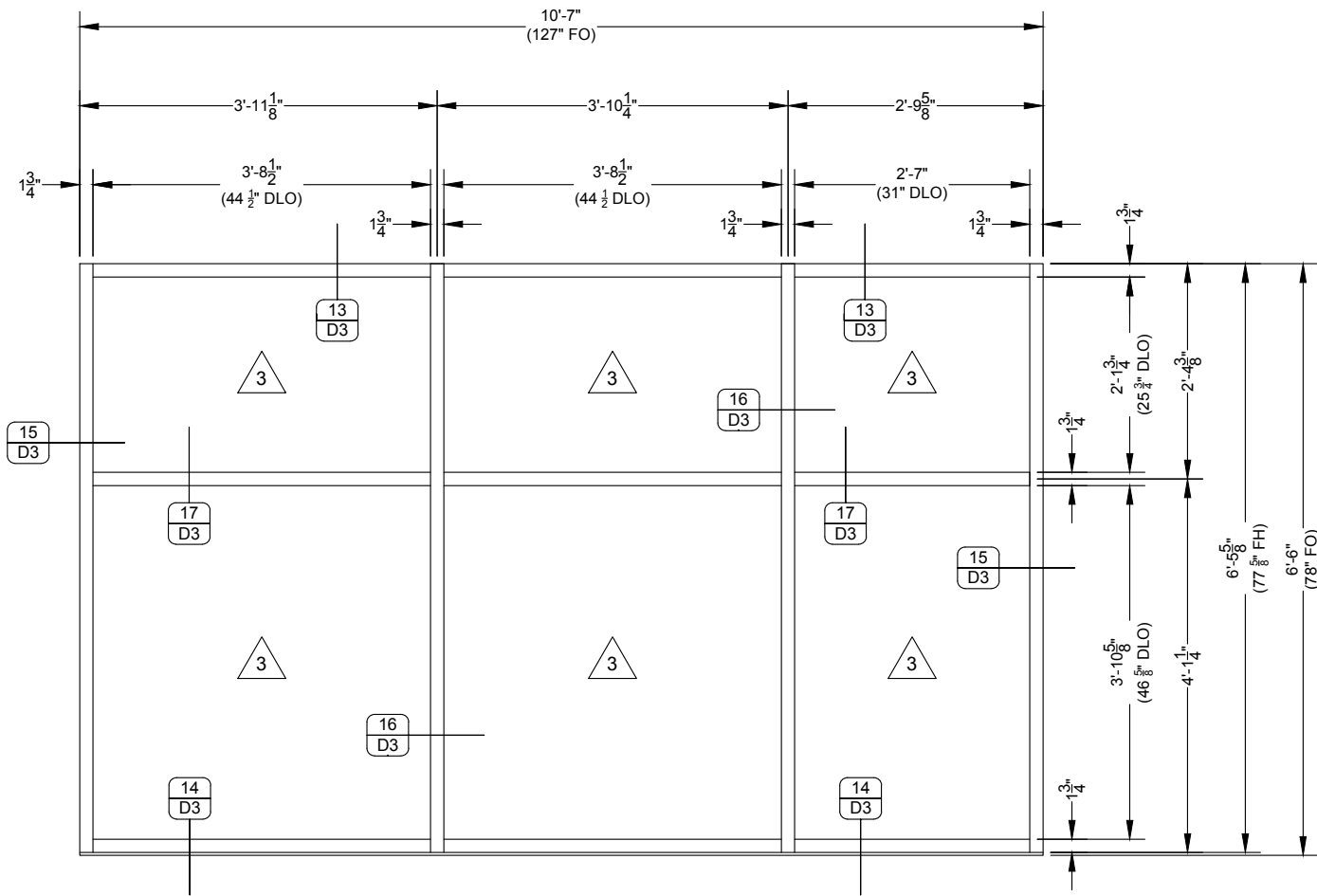
PROJECT NO. CGP-1910-03

DRAWN BY: fp DATE: 10/22/19

SCALE: 1/2" = 1'-0"

DRAWING: ELEVATIONS

SHEET: E8



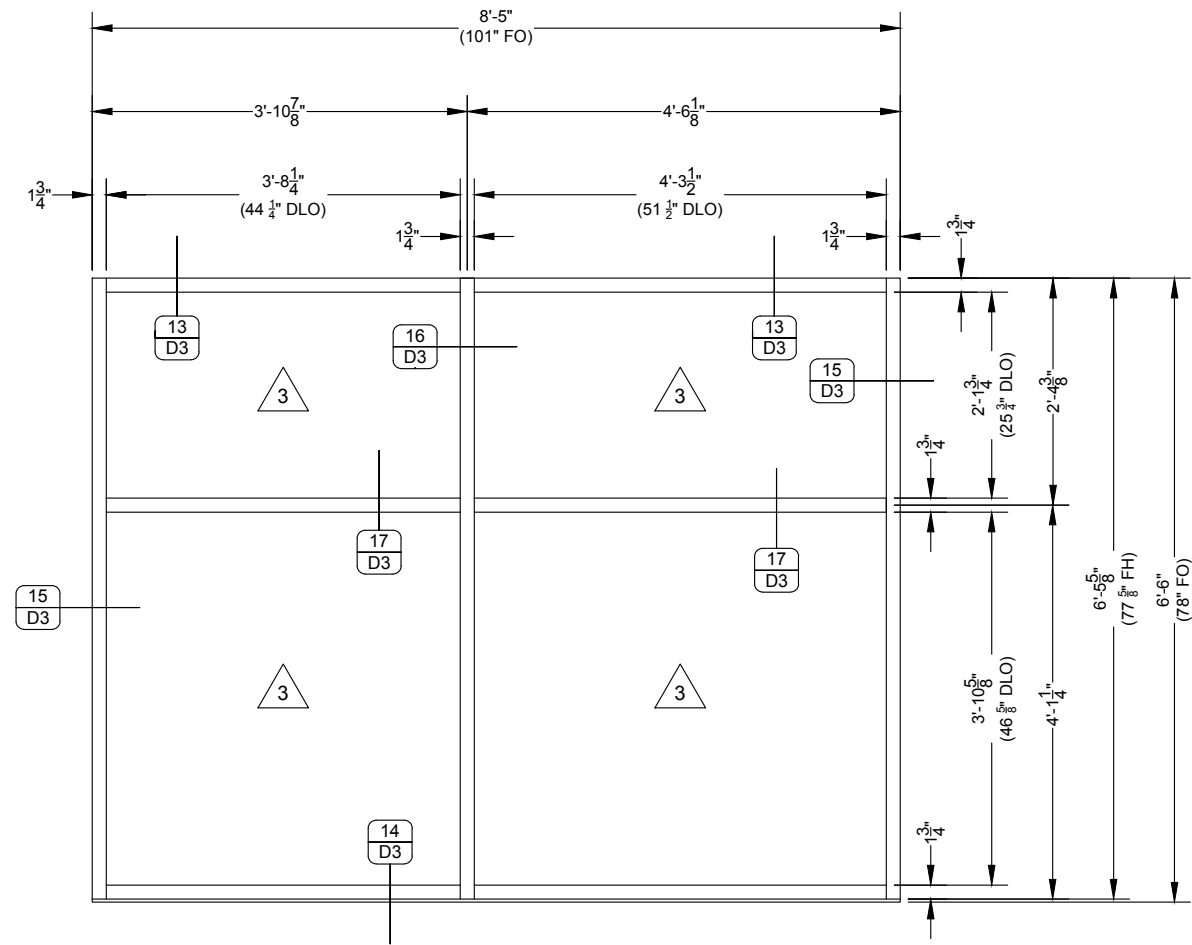
**ELEVATION**

QUANTITY: 1  
 SCALE: 1/2" = 1'-0"  
 ARCH REF: 1/A112



**INTERIOR STOREFRONT**

KAWNEER 1 3/4" X 4 1/2" TRIFAB 450 ALUMINUM STOREFRONT FRAMING



**ELEVATION**

QUANTITY: 1  
 SCALE: 1/2" = 1'-0"  
 ARCH REF: 1/A112



**INTERIOR STOREFRONT**

KAWNEER 1 3/4" X 4 1/2" TRIFAB 450 ALUMINUM STOREFRONT FRAMING

NO.	DATE	BY	DESCRIPTION
1	10/22/19	fp	First Submittal

**CONTRACTOR'S GLASS PRODUCTS**  
 7701 WEBER RD, CORPUS CHRISTI, TX 78315  
 WORK (361) 854-8188 FAX (361) 854-4412

PROJECT: SALVATION ARMY CENTER OF HOPE  
**NEW BUILDING**  
 ARCHITECT: TURNER RAMIREZ ARCHITECTS  
 (361) 894-8900  
 GENERAL CONTRACTOR: VICTORY BUILDING TEAM  
 (361) 991-5600

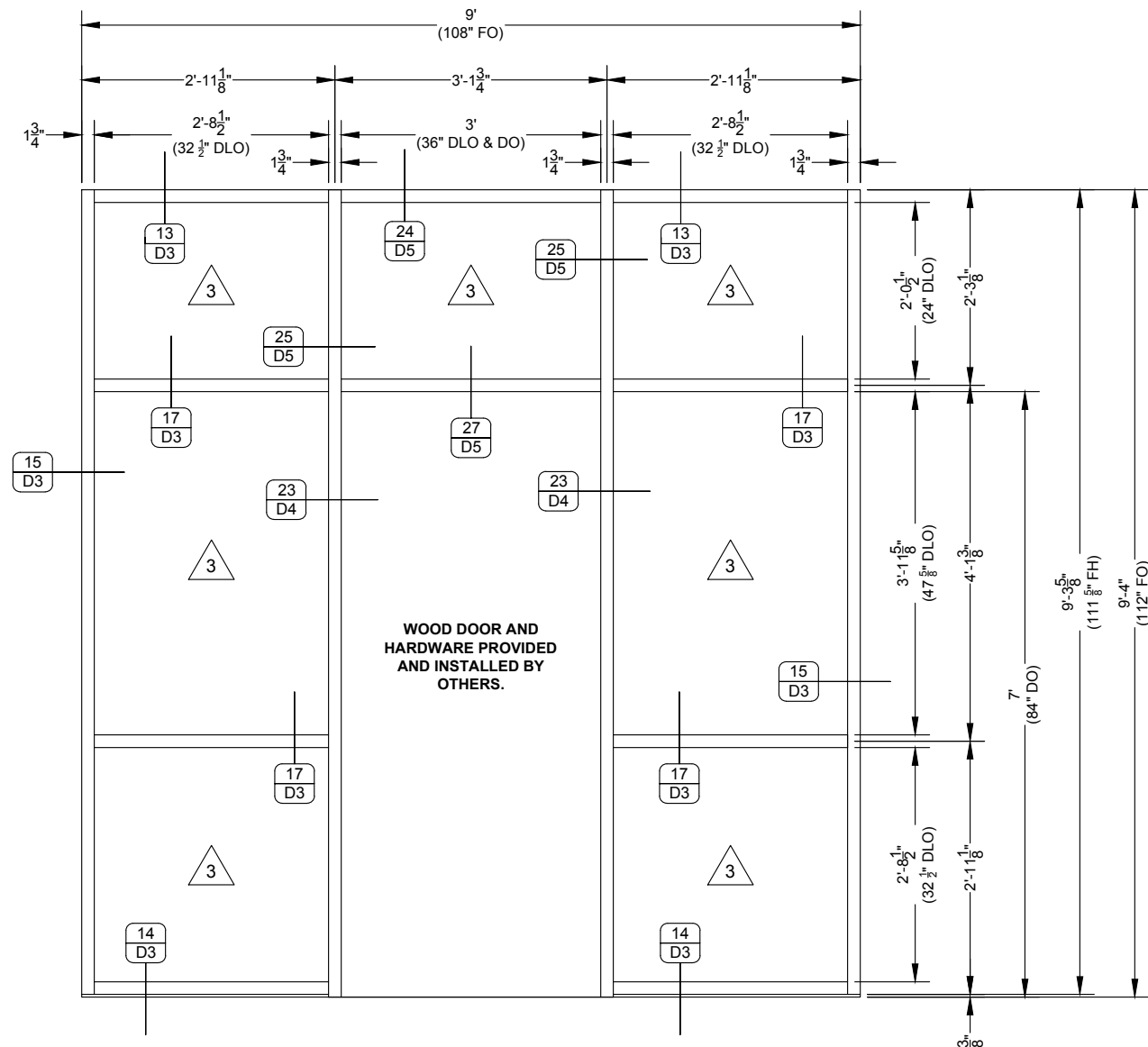
PROJECT NO. CGP-1910-03

DRAWN BY: fp DATE: 10/22/19

SCALE: 1/2" = 1'-0"

DRAWING: ELEVATIONS

SHEET: E9



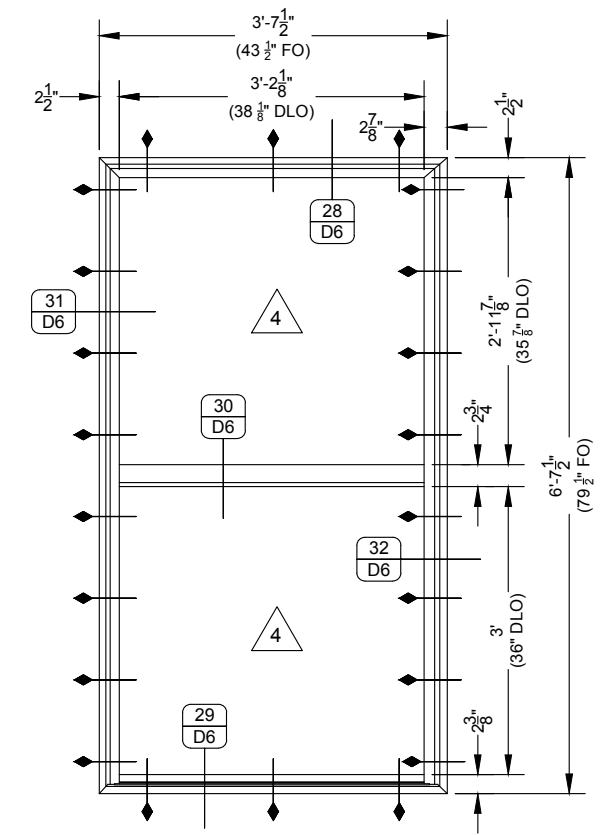
**ELEVATION**

QUANTITY: 1  
 SCALE: 1/2" = 1'-0"  
 ARCH REF: 1/A112  
 DOOR NUMBER(S): SB168



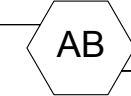
**INTERIOR STOREFRONT**

KAWNEER 1 3/4" X 4 1/2" TRIFAB 450 ALUMINUM STOREFRONT FRAMING



**ELEVATION**

QUANTITY: 55  
 SCALE: 1/2" = 1'-0"  
 ARCH REF: 1/A111  
 1/A112



**SINGLE-HUNG WINDOW**

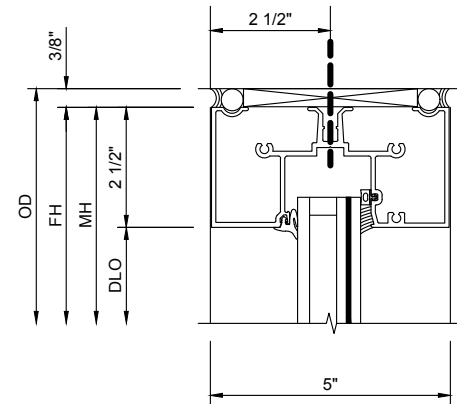
EARTHWISE GROUP LLC., IMPACT RATED VINYL WINDOWS

NO.	DATE	DESCRIPTION
1	10/22/19	First Submittal

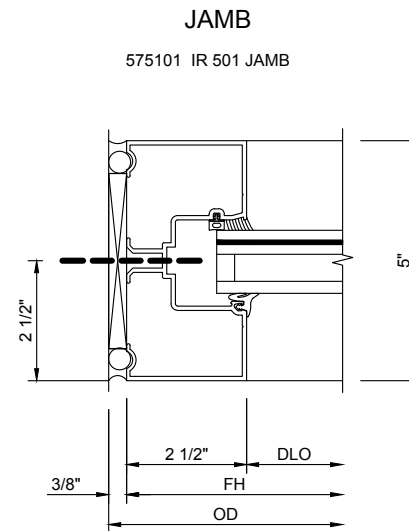
**CONTRACTOR'S GLASS PRODUCTS**  
 7701 WEBER RD, CORPUS CHRISTI, TX 78315  
 WORK (361) 854-8188 FAX (361) 854-4412

PROJECT: SALVATION ARMY CENTER OF HOPE  
**NEW BUILDING**  
 ARCHITECT: TURNER RAMIREZ ARCHITECTS  
 (361) 894-8900  
 GENERAL CONTRACTOR: VICTORY BUILDING TEAM  
 (361) 991-5600

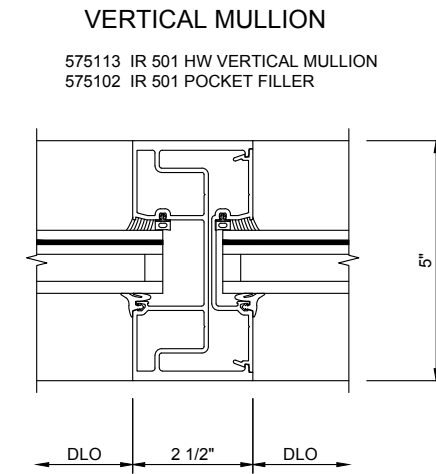
PROJECT NO.	CGP-1910-03
DRAWN BY	fp
DATE	10/22/19
SCALE	1/2" = 1'-0"
DRAWING	ELEVATIONS
SHEET	E10



**HEAD**  
 575112 IR 501 ONE-PIECE HEAD



**JAMB**  
 575101 IR 501 JAMB



**VERTICAL MULLION**  
 575113 IR 501 HW VERTICAL MULLION  
 575102 IR 501 POCKET FILLER

**DETAIL**  
 SCALE: 3" = 1'-0"  
 ARCH REF: N/A

**01**

**HEAD**

GLASS WALL SYSTEM TYPE:  
 KAWNEER 2 1/2" X 5" IR 501 ALUMINUM  
 STOREFRONT FRAMING

**DETAIL**  
 SCALE: 3" = 1'-0"  
 ARCH REF: N/A

**03**

**JAMB AT WALL**

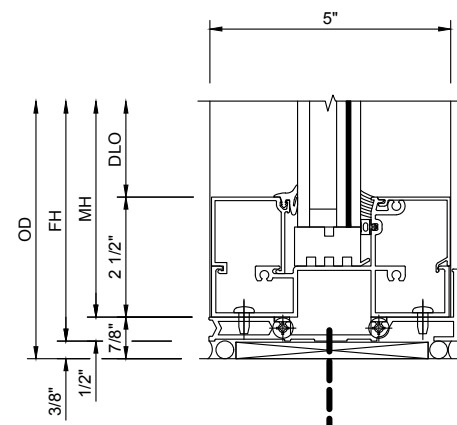
GLASS WALL SYSTEM TYPE:  
 KAWNEER 2 1/2" X 5" IR 501 ALUMINUM  
 STOREFRONT FRAMING

**DETAIL**  
 SCALE: 3" = 1'-0"  
 ARCH REF: N/A

**04**

**VERTICAL**

GLASS WALL SYSTEM TYPE:  
 KAWNEER 2 1/2" X 5" IR 501 ALUMINUM  
 STOREFRONT FRAMING



**SILL**  
 575158 IR 501 OPTIONAL SILL  
 575157 FLASHING  
 575208 END DAM  
 575159 IR 501 OPTIONAL SILL COVER  
 575104 IR 501 GLASS STOP

**DETAIL**  
 SCALE: 3" = 1'-0"  
 ARCH REF: N/A

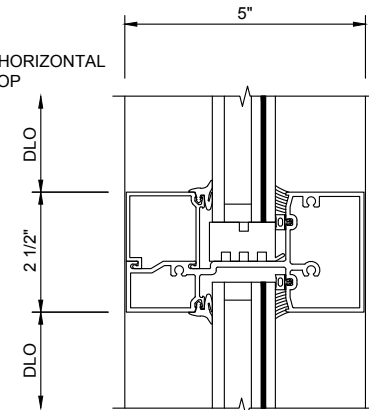
**02**

**SILL**

GLASS WALL SYSTEM TYPE:  
 KAWNEER 2 1/2" X 5" IR 501 ALUMINUM  
 STOREFRONT FRAMING

**HORIZONTAL**

575115 IR 501 TUBULAR HORIZONTAL  
 575104 IR 501 GLASS STOP

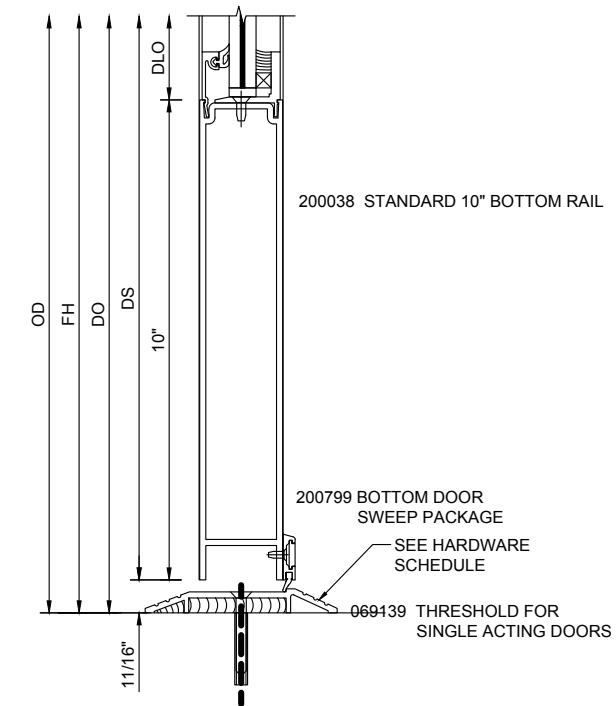


**DETAIL**  
 SCALE: 3" = 1'-0"  
 ARCH REF: N/A

**05**

**HORIZONTAL**

GLASS WALL SYSTEM TYPE:  
 KAWNEER 2 1/2" X 5" IR 501 ALUMINUM  
 STOREFRONT FRAMING



**DETAIL**  
 SCALE: 3" = 1'-0"  
 ARCH REF: N/A

**06**

**BOTTOM RAIL**

GLASS WALL SYSTEM TYPE:  
 KAWNEER DOOR

NO.	SUB	BY	DATE	DESCRIPTION
1		fp	10/22/19	First Submittal

**CONTRACTOR'S GLASS PRODUCTS**  
 7701 WEBER RD, CORPUS CHRISTI, TX 78315  
 WORK (361) 854-8188 FAX (361) 854-4412

PROJECT: SALVATION ARMY CENTER OF HOPE  
**NEW BUILDING**  
 ARCHITECT: TURNER/RAMIREZ ARCHITECTS  
 (361) 964-8600  
 GENERAL CONTRACTOR: VICTORY BUILDING TEAM  
 (361) 991-5600

PROJECT NO.	CGP-1910-03
DRAWN BY	fp
DATE	10/22/19
SCALE	3" = 1'-0"
DRAWING	DETAILS
SHEET	D1